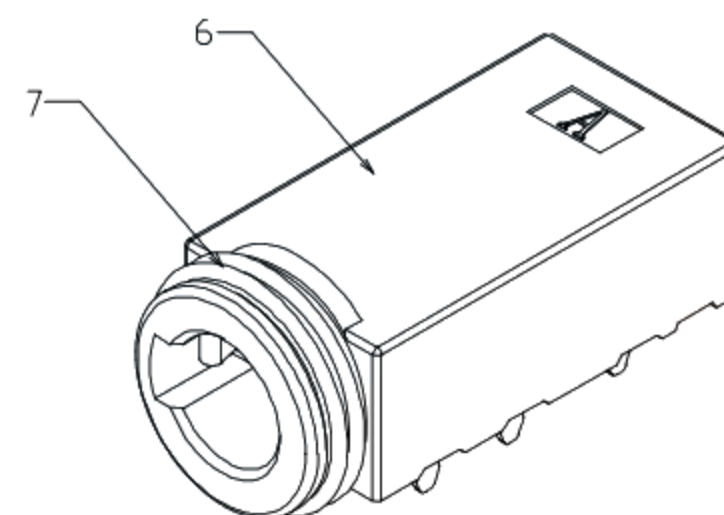
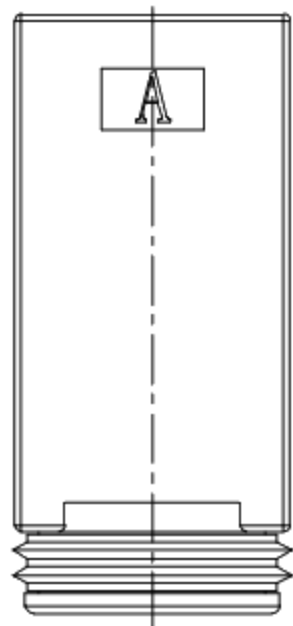


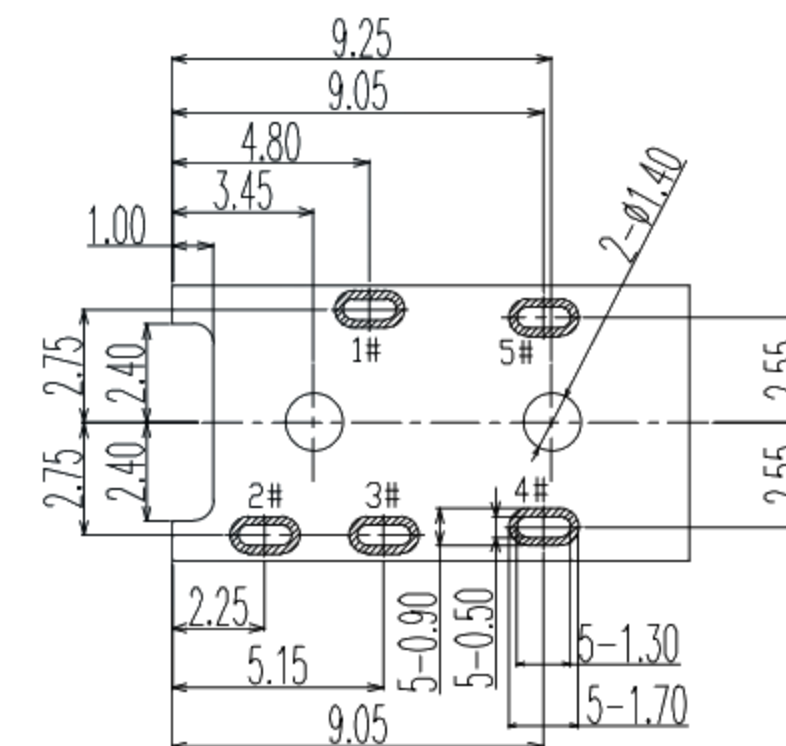
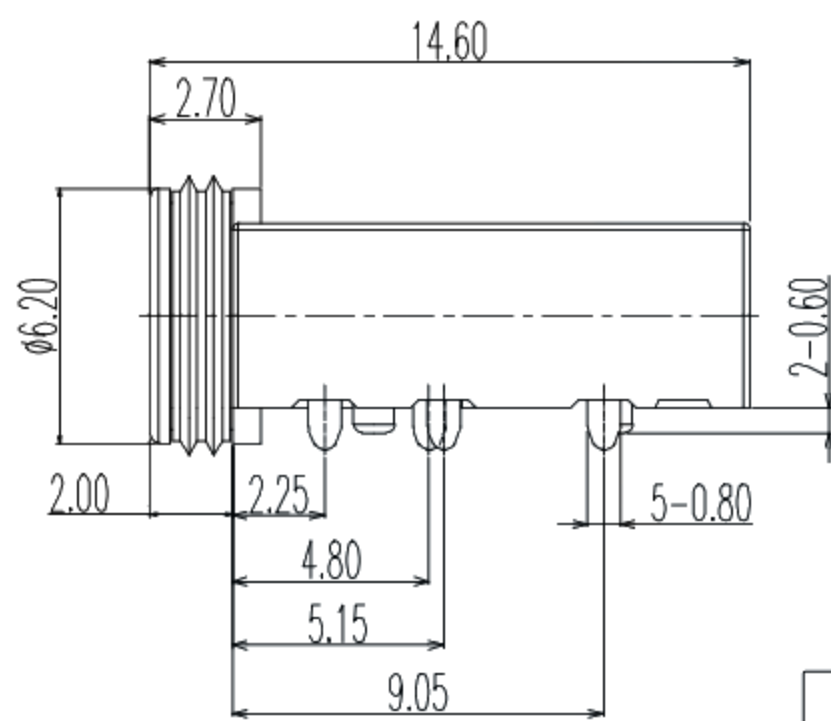
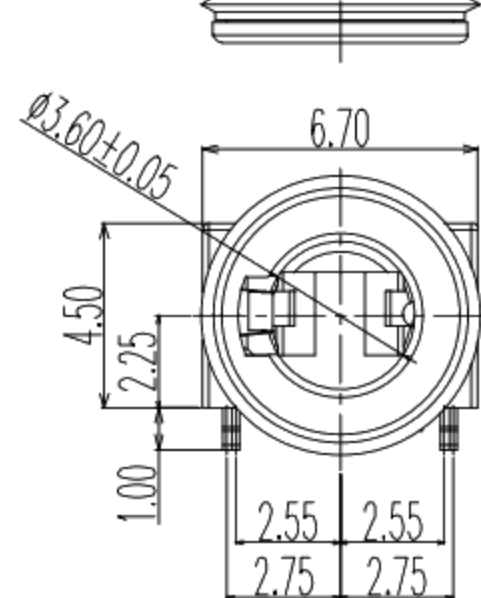
RoHS
Compliant

ZONE	SYMBOL	REVISION	APPROVAL	DATE
A		INITIAL	Lucky	06/20/20'

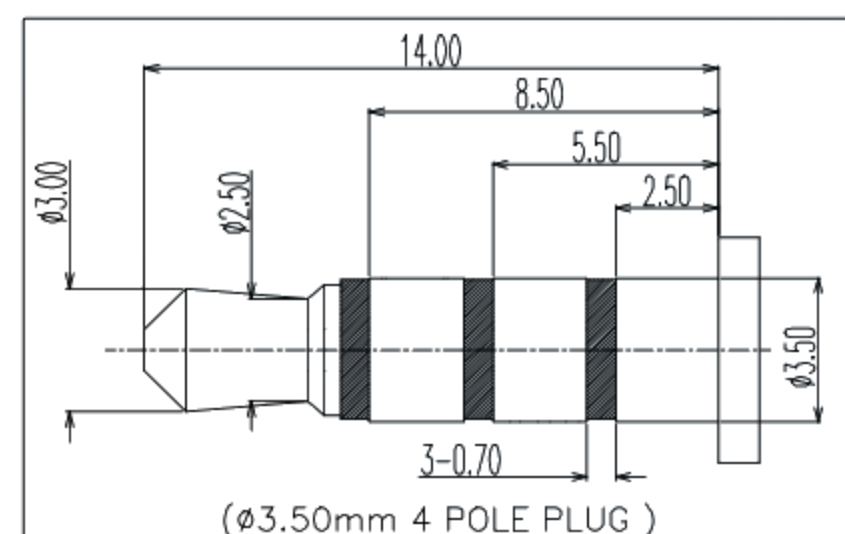
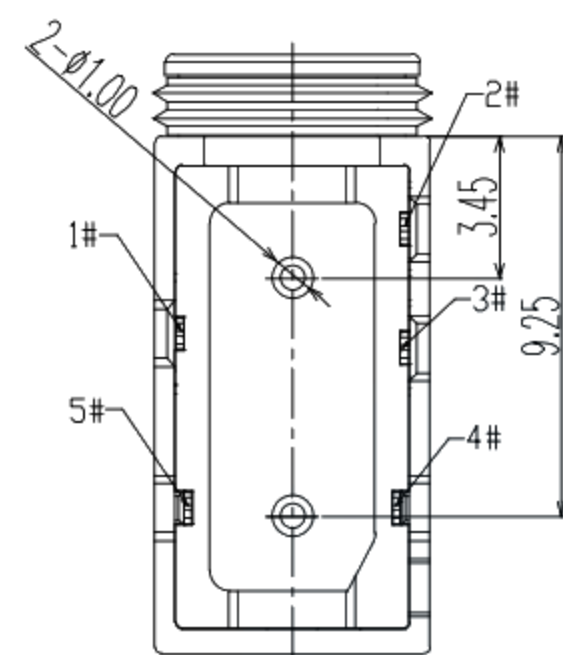


3D VIEW

- CONTACT CURRENT RATING: 1A.
- CONTACT RESISTANCE: 100 mΩ MAX.;
- INSULATION RESISTANCE: 100Ω MIN.;
- DIELECTRIC WITHSTANDING: 500V AC MIN.;
- DURABILITY: 5,000 CYCLES MIN.;
- CONNECTOR MATING FORCES: 30N MAX.;
- CONNECTOR UNMATING FORCES: 3N MIN.;
- TERPROOF LEVEL: IP67;

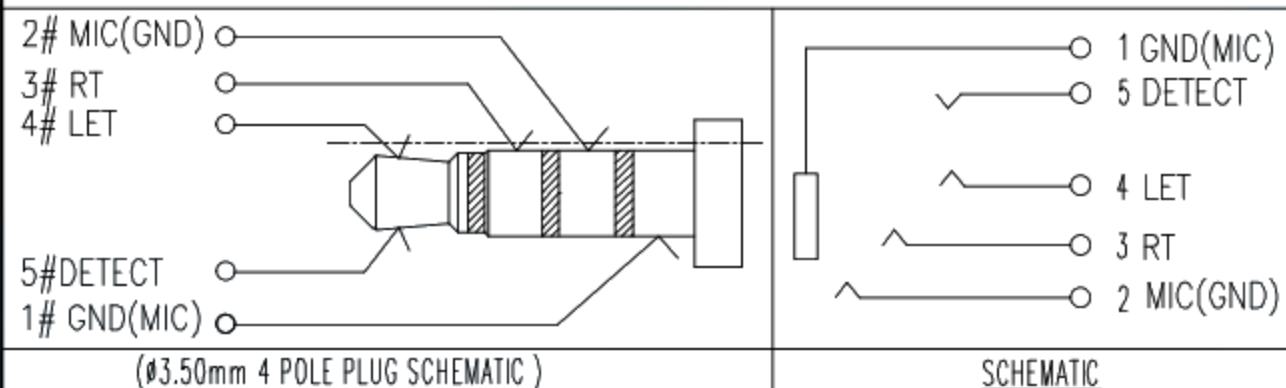


P.C.B LAYOUT T=1.00mm
TOP VIEW



(φ3.50mm 4 POLE PLUG)

⑦	Contact_5	5	1	Copper Alloy	NICKEL UNDER PLATING OVERALL, GOLD FLASH PLATING ON SOLDER AREA ;GOLD FLASH PLATING ON CONTACT AREA	T=0.20mm
⑥	Contact_4	4	1	Copper Alloy		T=0.20mm
⑤	Contact_3	3	1	Copper Alloy		T=0.20mm
④	Contact_2	2	1	Copper Alloy		T=0.20mm
③	Contact_1	1	1	STAINLESS STEEL		T=0.20mm
②	Separator		1	HIGH TEMP	BLACK,UL94V-0	
①	Housing		1	HIGH TEMP	BLACK,UL94V-0	
NO.	PART NAME		QTY	MATERIAL	DESCRIPTION	REMARK



东莞市高迪电子有限公司

PART NAME	3.5MM STEREO JACK	TOLERANCE UNLESS OTHERWISE SPECIFIED:	0.0±0.2 0.00±0.1 0.000±0.05	UNIT: mm
PART NO.				

DRAWING:	Lucky	DATE:	2020.20.06	SCALE:	5:1
CHECK:	liao Y K	DATE:	2020.20.06	MATERIAL:	*
APPROVAL:	Abel	DATE:	2020.20.06	DWG. no.:	A
DRAWING NO.				SHEET:	1/1